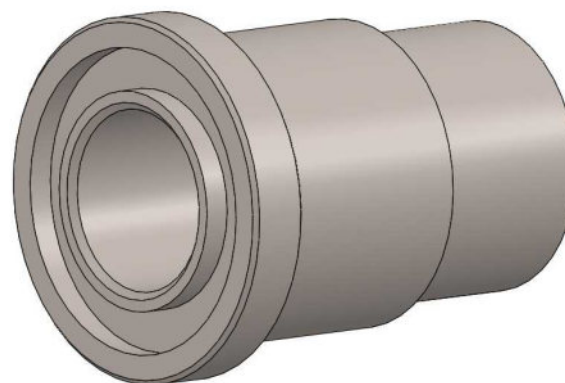
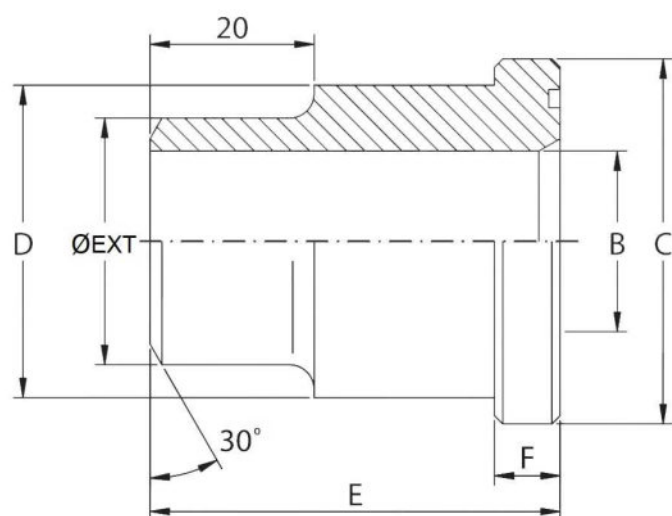


Bridas SAE

Conos soldar

**Brida cono soldable tubo métrico**

Acero Inoxidable AISI 316-L



Artículo	Serie	Ø ext	Tamaño	O'Ring	B	C	D	E	F
<b>ZBSM3108016</b>	3000 PSI	16	1/2"	4075	12	30,2	24	41	6,73
<b>ZBSM3112025</b>	3000 PSI	25	3/4"	4100	19	38,1	32	50	6,73
<b>ZBSM3116030</b>	3000 PSI	30	1"	4131	22	44,4	38	50	8
<b>ZBSM3120038</b>	3000 PSI	38	1"1/4	4150	28	50,8	43	55	8
<b>ZBSM3124045</b>	3000 PSI	45	1"1/2	4187	35	60,3	50	57	8
<b>ZBSM3132060</b>	3000 PSI	60	2"	4225	50	71,4	62	57	9,53
<b>ZBSM3140070</b>	3000 PSI	70	2"1/2	4275	55	84,1	74	58	9,53
<b>ZBSM3148080</b>	3000 PSI	80	3"	4337	68	101,6	90	60	9,53
<b>ZBSM3156100</b>	3000 PSI	100	3"1/2	4387	89	114,3	102	80	11,2
<b>ZBSM3164114</b>	3000 PSI	114.3	4"	4437	99	127	114,3	80	11,2
<b>ZBSM6108016</b>	6000 PSI	16	1/2"	4075	12	31,8	24	34	7,75
<b>ZBSM6112025</b>	6000 PSI	25	3/4"	4100	18	41,3	32	38	8,76
<b>ZBSM6116030</b>	6000 PSI	30	1"	4131	22	47,6	38	40	9,53
<b>ZBSM6120038</b>	6000 PSI	38	1"1/4	4150	27	54	44	45	10,29
<b>ZBSM6124045</b>	6000 PSI	45	1"1/2	4187	32	63,5	51	50	12,57
<b>ZBSM6132060</b>	6000 PSI	60	2"	4225	45	79,4	67	58	12,57